

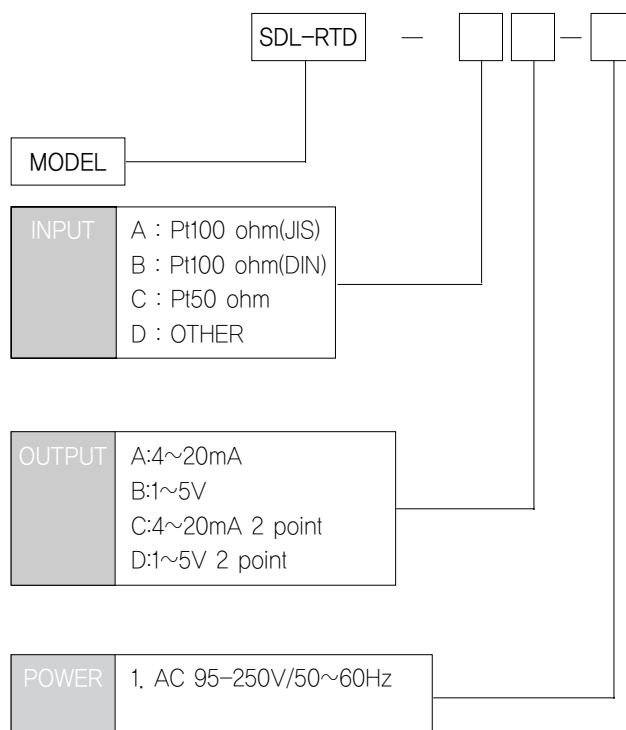
RTD TRANSMITTER

SDL-RTD



- Compact Size. 4 Digit LCD Display.
- It is realized hi effectiveness and hi accuracy use by 16bit AD converter.
- It contains peak hold function so possible to use various application.
- Contain burnout function that give high output and display warning message when sensor line was disconnected by accident or other reasons.

MODEL & SUFFIX CODE SELECTION



GENERAL SPECIFICATIONS

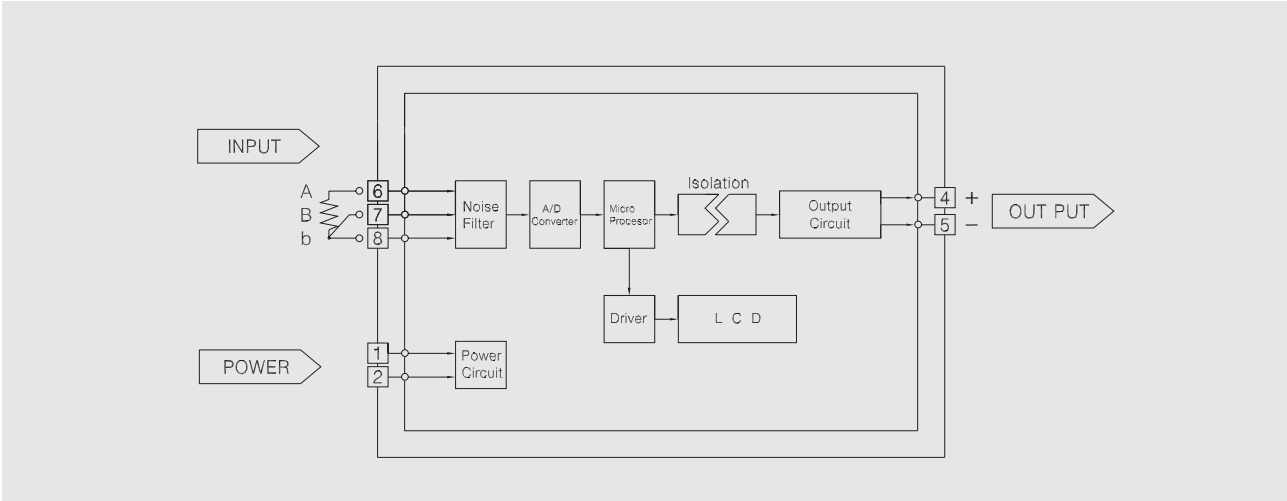
Isolation/Type	Input to output to power/Transformer isolation type		
Power Supply	AC 95VA-250V(50~60Hz ±10%)		
Accuracy	±0.1%(Max)		
Temp Coefficient	±0.015% / °C		
Linearity	±0.02% F.S		
Insulation Resistance	Greater than 100MΩ with DC 500V		
Dielectric Strength	Input - Power	AC 2500V	1 minute
	Input - Output		
	GND - Power	AC 1000V	
Overrange Output	approx.-10% ~ 110% at DC 1~5V ±5%		
Response Time	≤0.5 sec (0~90%)		
Operating Temperature/Humidity	-20~60°C / 90%(N.C)		
Storage Temperature/Humidity	-20~80°C / 95%(N.C)		
Dimensions	W34xH105xD100(mm)		
Case Material	ABS Resin (black or Gray)		
Weight	about 200g		
Mounting	Din Rail mounting		

INPUT RANGE Input selection by code

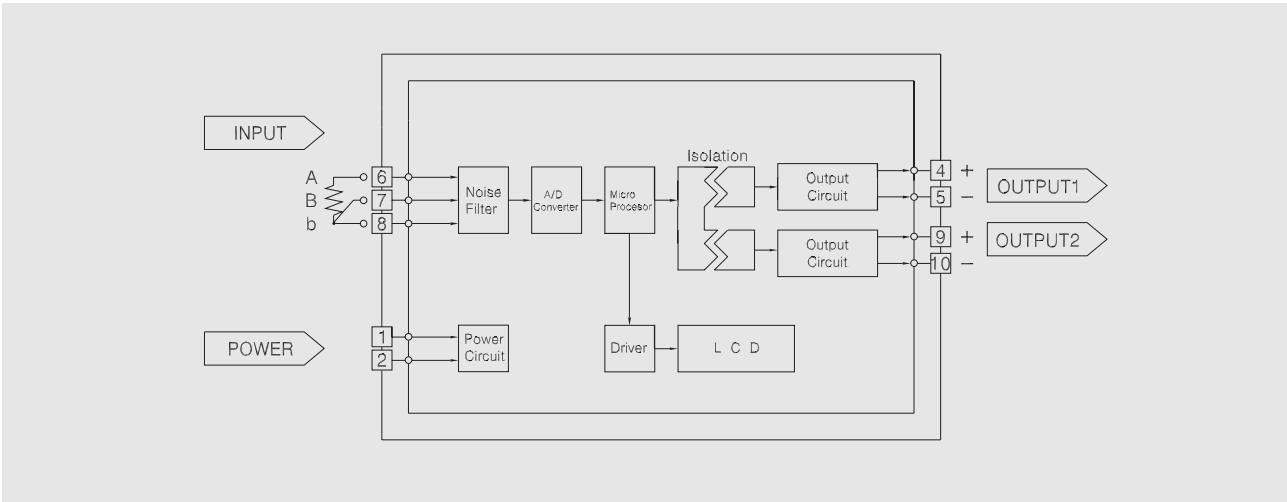
RTD		Range of input and scale	MIN Span	Message
RTD	Pt100Ω	-200~800.0°C	50.0°C	
	Pt100Ω (JIS)	-200~800.0°C	50.0°C	
	Pt50Ω	-200~800.0°C	50.0°C	

BLOCK DIAGRAM

1 Point Output



2 Point Output



DIMENSIONS(unit :mm)

